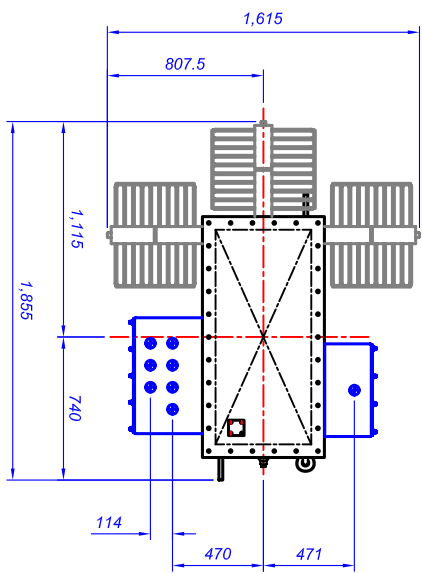


ITEM	DESCRIPTION
1	HV CABLE BOX 3 POLE 1 GLAND (TERMINATION KIT REQD)
2	LV CABLE BOX 4 POLE 7 GLAND AIR FILLED
3	TRANSFORMER OIL FILLER PLUG
4	THERMOMETER POCKET
5	LIQUID LEVEL GAUGE
6	EARTHING TERMINAL
7	SKID UNDERBASE C/W HAULAGE HOLES
8	MAIN LIFTERS
9	BREATHER PIPE C/W SILICA GEL BREATHER (SUPPLIED LOOSE)
10	TAPPING SELECTOR CONTROL HANDLE
11	RATING AND DIAGRAM PLATE
12	DRAIN VALVE
13	RADIATORS
14	JACKING ANGLES

BOWERS TOP SPEC	
BOWERS STOCK No.	800 KVA
OUTPUT	110000 / 433
VOLTAGE L / L10	42 / 1067
AMPERES	3
FREQUENCY	50Hz
VECTOR SYM	Dyn11

ESTIMATED WEIGHTS	
CORE AND WINDINGS	KG 1270
COOLING LIQUID	LTRS 503
TOTAL WEIGHT	2560



ISO 9001 : 2008

This drawing is COPYRIGHT and the property of Bowers Electricals Ltd. It must not be copied (in whole or in part) without prior written consent of the company.

TOLERANCE UNLESS OTHERWISE STATED

± 0.5mm FOR DIMENSIONS UP TO 250mm

± 1.0mm FOR DIMENSIONS UP TO 1000mm

± 2.0mm FOR DIMENSIONS OVER 2000mm.

Rev/No	Date	Signed	Ckd.	Revision note

Bowers Electricals Ltd

Heaton Gate Road, D175 7GX
Tel: 01773 531531 Fax: 01773 716171
Email: enquiries@bowerselec.co.uk

Drawn by: A WILCOXSON
Checked by: C MENSE
Approved by: C MENSE

DRG No. BE5336

Scale: 1:20

DRG No.	Rev	Date	Rev	Rev
BE5336	0	17/05/11	AZ	1/1